

CR2032 - Lithium Batteries

3V (Li/MnO₂) Non-Rechargeable Batteries

CR2032 "Lithium Coin" batteries high cell capacity allows for stable high voltage power used with variety of devices. The batteries design provides long-lasting reliable performance

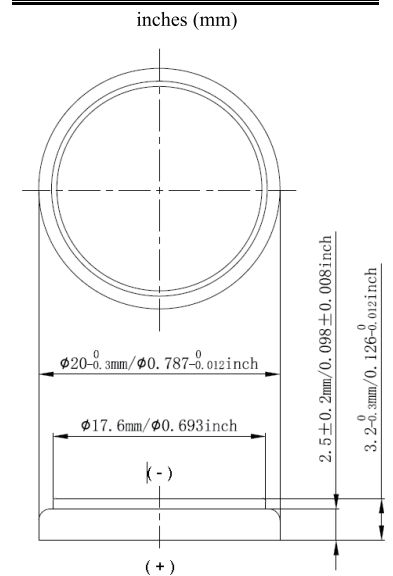


FEATURES

| |
|---|
| HIGH-CAPACITY DESIGN ASSURES EXTENDED PERFORMANCE IN DEMANDING APPLICATIONS |
| EXCELLENT DISCHARGE PERFORMANCE AT EXTREMELY LOW TEMPERATURES |
| WIDE OPERATING TEMPERATURE RANGE: 0 °F – 122 °F (-18 °C – 50 °C) |
| 5 YEARS GUARANTEED POWER HOLDING IN STORAGE |
| FRIENDLY TO THE ENVIRONMENT (ZERO MERCURY, CADMIUM & LEAD) |
| 100% SAFE OPERATION |
| COMPLIANT WITH ANSI 18.3 (part 1 & 2) & IEC 60086 (part 1, 2, 4) |
| COMPLIANT WITH UN MANUAL OF TESTS & CRITERIA 38.3 TEST REQUIREMENTS |

| | |
|-----------------------|--|
| SKU PART # | IM-CR2032 |
| UPC | 840049304659 |
| Chemical Composition: | Lithium Manganese Dioxide Li Metal Content: 0.065 Grams |
| Nominal Voltage: | 3.0VDC |
| Nominal Capacity: | 220mAh Discharge @ 15ohm to 2.0VDC, 68 °F/20 °C) |
| Weight: | Approx. 0.11oz. (3.2gr.) |

Industry Standard Dimensions



Dimensions shown are IEC/ANSI standards

IM-CR2032

CR2032 Lithium Batteries

3V Lithium Metal batteries

IM-CR2032

| | |
|---|--|
| Shelf Life/ No Leak Guarantee: | 5 years (68 °F/20 °C) |
| Standard / Max. Constant Current: | 0.2mA/1.0mA (68 °F/20 °C) |
| Recommended Storage Temperature Range (storage area should be clean, cool, dry and ventilated): | 41°F ~ 86 °F (5 °C ~ 30 °C) |
| Operating Temperature Range: | -4 °F ~ +140 °F (-20 °C ~ +60 °C) |
| Quality, Safety and Environment standards: | IEC 60086-1-2-4, ANSI C18.3 Part 1 & 2, UN38.3 Recognized; RoHS and EU battery directive 2006/66/EC; ISO 9001, ISO 14001 |

Additional Information

- Warnings: Fire, explosion and burn hazard; Do not recharge, crush, disassemble, short circuit, mix batteries, heat above 212 °F (100 °C), incinerate, or expose contents to water.
- Keep away from small children
- If swallowed, seek IMMEDIATE medical care
- Do not mix with other battery types
- Keep batteries in original package until ready to use
- Replace all batteries at the same time
- Do not carry loose batteries in your pocket or bag
- Applications :wireless sensors, key-Fobs, thermometers, security devices, watches
- LITHIUM METAL BATTERIES - FORBIDDEN FOR TRANSPORT ABOARD PASSENGER AIRCRAFT

CR2032 Lithium Batteries

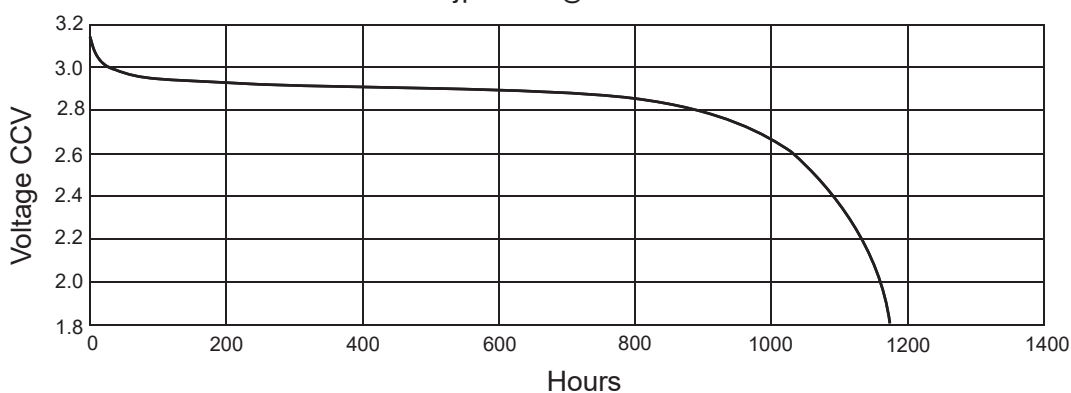
3V Lithium Metal batteries

IM-CR2032

Performance Characteristics

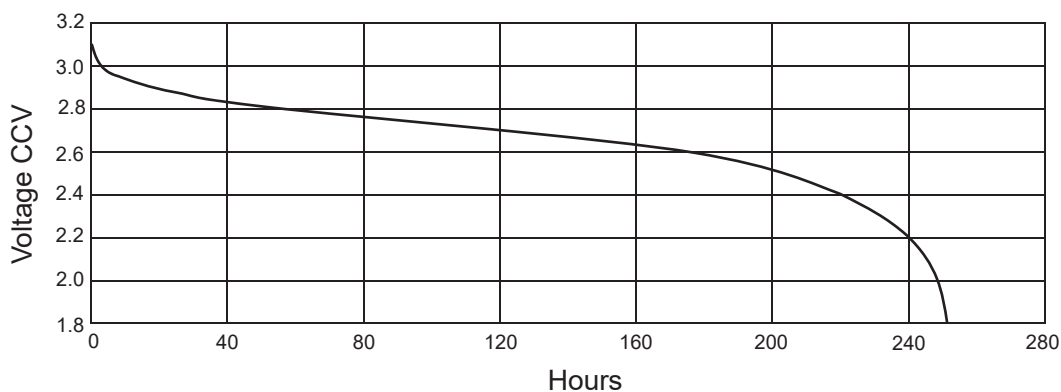
Continuous Discharge Characteristics

Load: 15k ohms-continuous 21 °C (70 °F)
Typical Drain @ 2.9V:0.19mA



Pulse Discharge Characteristics

Load: 10mA - 5s on, 55s off, 24h per day @21 (70 °F)



The data in this document is for descriptive purposes only and is not intended to make or imply any guarantee or warranty.